

Homeline Building Products Ltd

Aberaman Park Industrial Estate
Aberaman
Aberdare
Glamorgan CF44 6DA

Tel: 01685 882447 Fax: 01685 870887

e-mail: sales@homeline.uk.com

website: www.homeline.uk.com



Agrément Certificate

19/5701

Product Sheet 1

HOMELINE CLADDING SYSTEMS

HOMELINE PVC-UE CLADDING SYSTEM

This Agrément Certificate Product Sheet⁽¹⁾ relates to the Homeline PVC-UE Cladding System, for use as protective/ decorative coloured cladding over external masonry and timber frame walls (with or without sheathing) of new and existing domestic and non-domestic buildings, subject to height restrictions.

(1) Hereinafter referred to as 'Certificate'.

CERTIFICATION INCLUDES:

- factors relating to compliance with Building Regulations where applicable
- factors relating to additional non-regulatory information where applicable
- independently verified technical specification
- assessment criteria and technical investigations
- design considerations
- installation guidance
- regular surveillance of production
- formal three-yearly review.



KEY FACTORS ASSESSED

Strength and stability — the system can withstand the dynamic wind pressures shown in Table 2 (see section 6).

Performance in relation to fire — the system achieved reaction to fire classifications of D-s3, d0; D-s3, d2; or 'E', to BS EN 13501-1 : 2007, depending on the colour. The use of the cladding is restricted by the national Building Regulations (see section 7).

Durability — the system will remain effective as a cladding system for a period in excess of 35 years, with only minor changes in surface appearance (see section 11).

The BBA has awarded this Certificate to the company named above for the system described herein. This system has been assessed by the BBA as being fit for its intended use provided it is installed, used and maintained as set out in this Certificate.

On behalf of the British Board of Agrément

John Albon
Chief Scientific Officer

Claire Curtis-Thomas
Chief Executive

Date of First issue: 14 October 2019

The BBA is a UKAS accredited certification body – Number 113.

The schedule of the current scope of accreditation for product certification is available in pdf format via the UKAS link on the BBA website at www.bbacerts.co.uk
Readers are advised to check the validity and latest issue number of this Agrément Certificate by either referring to the BBA website or contacting the BBA direct.

Any photographs are for illustrative purposes only, do not constitute advice and should not be relied upon.

British Board of Agrément

Bucknalls Lane
Watford
Herts WD25 9BA

©2019

tel: 01923 665300
clientservices@bbacerts.co.uk
www.bbacerts.co.uk

Regulations

In the opinion of the BBA, the Homeline PVC-UE Cladding System, if installed, used and maintained in accordance with this Certificate, can satisfy or contribute to satisfying the relevant requirements of the following Building Regulations (the presence of a UK map indicates that the subject is related to the Building Regulations in the region or regions of the UK depicted):



The Building Regulations 2010 (England and Wales) (as amended)

Requirement:	A1	Loading
Comment:	The system is acceptable for use as set out in section 6 of this Certificate.	
Requirement:	B3(2)(4)	Internal fire spread (structure)
Requirement:	B4(1)	External fire spread
Comment:	The system is restricted under these Requirements. See sections 7.1, 7.2 and 7.5 of this Certificate.	
Requirement:	C2(b)	Resistance to moisture
Comment:	The system does not form a watertight or airtight facing but will resist the passage of moisture to the supporting wall. See section 8 of this Certificate.	
Requirement:	C2(c)	Resistance to moisture
Comment:	The trims can contribute to the dispersal of moisture vapour in the cavity. See section 8.1 of this Certificate.	
Regulation:	7	Materials and workmanship (applicable to Wales only)
Regulation:	7(1)	Materials and workmanship (applicable to England only)
Comment:	The system is acceptable. See section 11.1 and the <i>Installation</i> part of this Certificate.	
Regulation:	7(2)	Materials and workmanship (applicable to England only)
Comment:	The system is restricted by this Regulation. See sections 7.1 and 7.2 of this Certificate.	



The Building (Scotland) Regulations 2004 (as amended)

Regulation:	8(1)(2)	Durability, workmanship and fitness of materials
Comment:	The system is acceptable. See sections 10 and 11.1 and the <i>Installation</i> part of this Certificate.	
Regulation:	9	Building standards applicable to construction
Standard:	1.1(a)(b)	Structure
Comment:	The system can contribute to satisfying this Standard, with reference to clause 1.1.1 ⁽¹⁾⁽²⁾ , as set out in section 6 of this Certificate.	
Standard:	2.4	Cavities
Standard:	2.6	Spread to neighbouring buildings
Standard:	2.7	Spread on external walls
Comment:	The system is restricted by these Standards with reference to clauses 2.4.2 ⁽¹⁾⁽²⁾ , 2.4.4 ⁽¹⁾ , 2.6.2 ⁽¹⁾⁽²⁾ , 2.6.4 ⁽¹⁾⁽²⁾ and 2.7.1 ⁽¹⁾⁽²⁾ . See sections 7.1 and 7.3 to 7.5 of this Certificate.	
Standard:	3.10	Precipitation
Comment:	The system does not form a watertight or airtight facing. To achieve a waterproof barrier on exposed substrates, a breather membrane must be provided. See section 8 of this Certificate.	

Standard: 3.15 **Condensation**
Comment: Provided there is provision for adequate drainage and ventilation behind the cladding, and a breather membrane is incorporated as required, the system can contribute to satisfying this Standard, with reference to clauses 3.15.4⁽¹⁾ and 3.15.5⁽¹⁾. See section 8 of this Certificate.

Regulation: 12 **Building standards applicable to conversions**
Comment: All comments given for this system under Regulation 9, Standards 1 to 6, also apply to this Regulation, with reference to clause 0.12.1⁽¹⁾⁽²⁾ and Schedule 6⁽¹⁾⁽²⁾.

(1) Technical Handbook (Domestic).

(2) Technical Handbook (Non-Domestic).



The Building Regulations (Northern Ireland) 2012 (as amended)

Regulation: 23 **Fitness of materials and workmanship**
Comment: The system is acceptable. See section 11.1 and the *Installation* part of this Certificate.

Regulation: 28(b) **Resistance to moisture and weather**
Comment: The system does not form a watertight or airtight facing but will resist the passage of moisture to the supporting wall. See section 8 of this Certificate.

Regulation: 30 **Stability**
Comment: The system is acceptable for use as set out in section 6 of this Certificate.

Regulation: 35(2)(3) **Internal fire spread - structure**
Regulation: 36(a) **External fire spread**
Comment: The system is restricted under these Regulations. See sections 7.1, 7.2 and 7.5 of this Certificate.

Construction (Design and Management) Regulations 2015

Construction (Design and Management) Regulations (Northern Ireland) 2016

Information in this Certificate may assist the client, designer (including Principal Designer) and contractor (including Principal Contractor) to address their obligations under these Regulations.

See sections: 3 *Delivery and site handling* (3.3) and 13 *General* (13.5) of this Certificate.

Additional Information

NHBC Standards 2019

In the opinion of the BBA, the Homeline PVC-UE Cladding System, if installed, used and maintained in accordance with this Certificate, can satisfy or contribute to satisfying the relevant requirements in relation to *NHBC Standards, Technical Requirement R3, Part 6 Superstructure (excluding roofs)* Chapters 6.1 *External masonry walls* (section 6.1.16 — Cladding) and 6.2 *External timber framed walls*.

CE marking

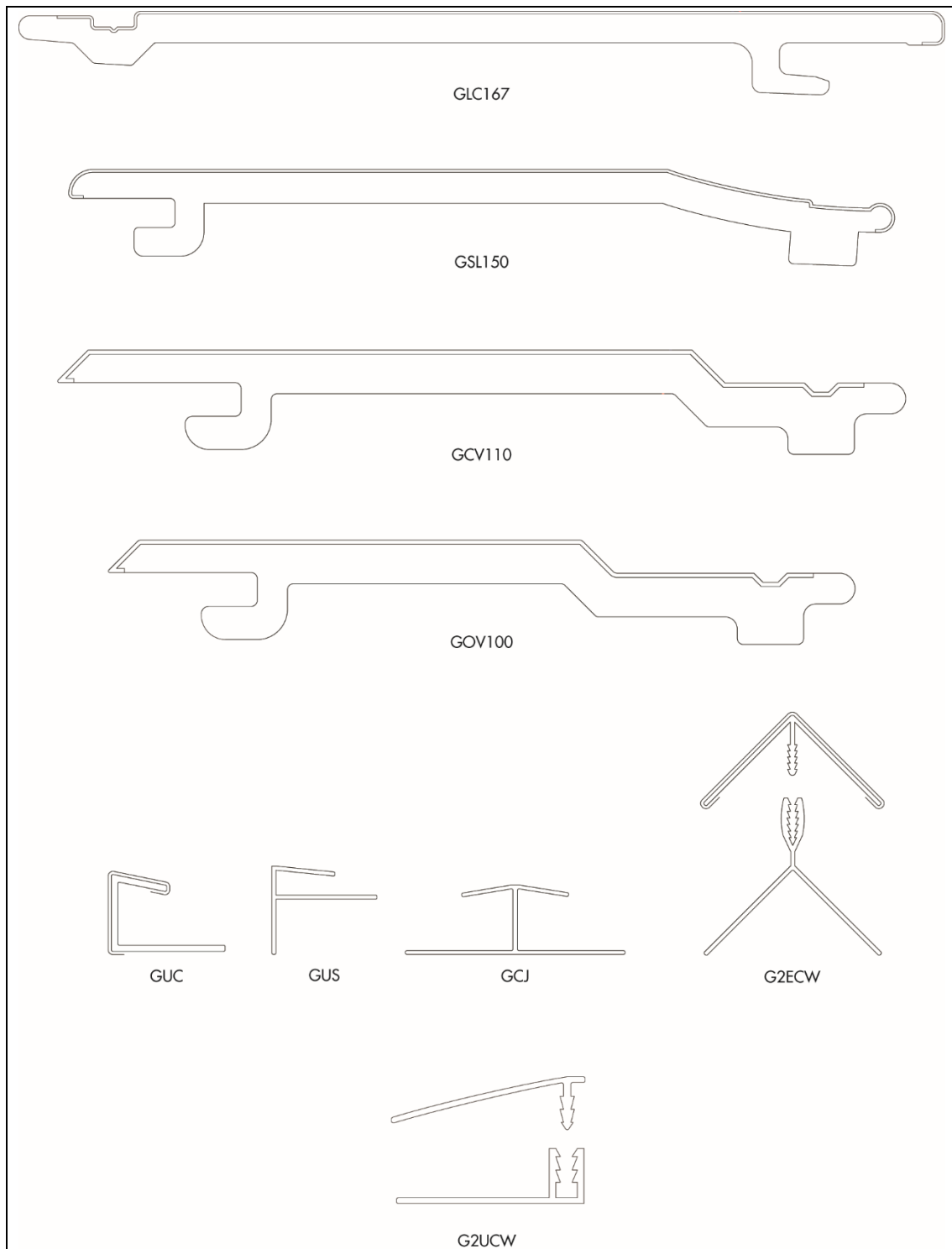
The Certificate holder has taken the responsibility of CE marking the system in accordance with harmonised European Standard BS EN 13245-2 : 2008. An asterisk (*) appearing in this Certificate indicates that data shown are given in the manufacturer's Declaration of Performance.

1 Description

1.1 The Homeline PVC-UE Cladding System comprises a range of cellular PVC-U (PVC-UE) interlocking boards with a shiplap joint and matching rigid PVC-U trims (see Figure 1). The system is available in white, and grey, and the following coloured laminated foil finishes:

- White
- Black
- Red
- Red Walnut
- Dark Teak
- Irish Oak
- Anthracite Grey
- Cream
- Antique Pine
- English Oak
- Dark Grey
- Light Oak
- Rosewood
- Mountain Ash
- Chartwell Green
- Green
- Slate Grey
- Mahogany
- Blue
- White Woodgrain
- Silver Birch
- Dark Walnut

Figure 1 Cladding boards and trims



1.2 The characteristics of the boards are given in Table 1. The boards are composed of a cellular calcium/zinc PVC-U core beneath a rigid outer weathering impact-modified calcium/zinc PVC-U skin.

Table 1 Characteristics of cellular boards

	GLC167	GSL150	GCV110	GOV100
Standard length (m)	5	5	5	5
Cover height (mm)	204.5	171	140.5	123
Thickness (mm)	7.0	7.0	7.25	7.0

1.3 The extruded trims are composed of impact-modified PVC-U and the injection mouldings of PVC-U.

1.4 Ancillary items specified for use with the system but outside the scope of this Certificate include:

- stainless steel cladding pins — 25 mm long flat-headed nails, used to 'secret-fix' cladding boards and to fix PVC-U trims to timber battens.
- breather membrane — for use with the system on non-weather-tight substrates.
- timber battens — preservative-treated battens measuring not less than 25 by 38 mm, to provide support for cladding.

2 Manufacture

2.1 The cellular boards are manufactured by co-extruding a high-impact calcium/zinc PVC-U skin compound onto a foamable calcium/zinc PVC-U core compound, and cooling and forming to section. Cellular PVC-UE is formed during the process by the evolution of gas from sodium bicarbonate present in the foamable PVC-U compound. Coloured laminated foil profiles are surface-covered with PVC incorporating a clear acrylic protective layer, and the laminate foil is applied to the external face adhering to the PVC-U skin. A clear, protective, polyethylene film is applied to the outer face of the extrusion before the board is cut to length.

2.2 The trims and mouldings are manufactured by conventional extrusion and injection-moulding techniques.

2.3 As part of the assessment and ongoing surveillance of product quality, the BBA has:

- agreed with the manufacturer the quality control procedures and product testing to be undertaken
- assessed and agreed the quality control operated over batches of incoming materials
- monitored the production process and verified that it is in accordance with the documented process
- evaluated the process for management of nonconformities
- checked that equipment has been properly tested and calibrated
- undertaken to carry out the above measures on a regular basis through a surveillance process, to verify that the specifications and quality control operated by the manufacturer are being maintained.

2.4 The management system of Homeline Building Products Ltd has been assessed and registered as meeting the requirements of BS EN ISO 9001 : 2015 (Certificate FM 537077).

3 Delivery and site handling

3.1 Standard 5 m lengths of the extrusion are delivered to site sealed in polythene sleeves. Pack quantities vary according to profile type.

3.2 All cladding boards bear the Certificate holder's product code.

3.3 Unloading should be carried out by hand to avoid damage to the components; they should be stored flat in their protective wrapping on a clean, level surface. Stacks must not exceed one metre in height and should be restrained to prevent collapse. It is recommended that additional protection is provided when boards are stored in the open by keeping the product under cover.

3.4 Care must be taken to avoid contact with solvents or materials containing volatile organic components.

Assessment and Technical Investigations

The following is a summary of the assessment and technical investigations carried out on the Homeline PVC-UE Cladding System.

Design Considerations

4 General

4.1 The Homeline PVC-UE Cladding System is suitable for horizontal, vertical and diagonal fixing as a decorative and protective external facing over masonry or timber-frame wall constructions of new and existing buildings.

4.2 The system is restricted for use in buildings with no storey at least 18 m above the ground in England, Wales and Northern Ireland. In Scotland, the system is restricted for use in buildings with no storey 11 m or more above the ground.

4.3 The wall and the sub-frame to which the cladding is fixed should be structurally sound and constructed in accordance with the requirements of the relevant national Building Regulations and Standards.

4.4 Brickwork or blockwork walls should be constructed in the conventional manner, in accordance with the national Building Regulations and BS EN 1996-1-1 : 2005 and BS EN 1996-3 : 2006 and their UK National Annexes.

4.5 Timber stud walls should be designed and constructed in accordance with BS EN 1995-1-1 : 2004 and its UK National Annex. Studding and framing should be adequately supported by noggings to ensure rigidity.

4.6 When used over a sheathed timber stud frame or over a masonry substrate, the light coloured cladding should be fixed to preservative-treated, good-quality timber battens (measuring not less than 25 by 38 mm) rigidly fixed to the studding (not the supported sheathing) or to a masonry substrate at 600 mm centres or closer. Dark coloured boards should be fixed at 400 mm centres or closer.

4.7 PVC-UE has a similar coefficient of thermal expansion to that of conventional rigid PVC-U. To avoid distortion in service, care should be taken not to install the cladding in extremes of temperature (ie below 5°C or above 25°C) and to allow adequate gaps for expansion (see section 13.6 of this Certificate.)

4.8 To comply with the NHBC requirement (see NHBC Standards 2019, Chapter 6.9.18), a minimum 38 mm drained and vented cavity behind the cladding is required.

5 Practicability of installation

The system is designed to be installed by a competent general builder, or a contractor, experienced with this type of system.

6 Strength and stability

Wind loading



6.1 Under wind loading, the most likely mode of failure of the cladding will be by nail withdrawal under wind suction. Design wind loads should be calculated by a suitably experienced and competent individual in accordance with BS EN 1991-1-4 : 2005 and its UK National Annex.

6.2 When installed in accordance with the requirements of this Certificate, the cladding can withstand wind loads in conjunction with the batten spacings detailed in Table 2.

Table 2 Installation guide

Batten spacing (mm)	Design wind resistance (Pa)
600	1344
500	1613
400	2017

6.3 The design wind resistance may be increased by reducing batten spacing. This is particularly recommended at the corners of buildings and in exposed locations. In common with all cladding, the adequacy of a proposed installation should always be checked by a suitably qualified and experienced individual, who should include in the check the adequacy of fixing battens to the substrate, which is not covered by this Certificate.

6.4 The cladding should not be taken into account when designing a timber stud wall to resist racking forces.

Resistance to impact

6.5 The cladding is not recommended for use at ground-floor level, where severe impacts may occur. It is suitable for use above ground-floor level in locations where it is unlikely to be subjected to impact from thrown or kicked objects.

7 Performance in relation to fire



7.1 The system achieved a reaction to fire classification* as detailed in Table 3. This relates to the colour range and mounting methods referred to in Section 1 of this Certificate.

Table 3 Fire Classifications according to BS EN 13501-1 : 2007

Cladding type / colour	Classification
White cladding boards with standard Homeline PVC-UE core	D-s3, d0 ⁽¹⁾
Grey unlaminate cladding boards with standard Homeline PVC-UE core	D-s3, d2 ⁽²⁾
White cladding boards with Homeline ECO core	D-s3, d2 ⁽³⁾
Coloured laminated foiled boards with standard Homeline PVC-UE core	E ⁽⁴⁾
Coloured laminated foiled boards with Homeline ECO core	E ⁽⁵⁾

(1) Fire test report WF 330707 from Warringtonfire refers.

(2) Fire test report WF 418120 from Warringtonfire refers.

(3) Fire test report WF 409806 from Warringtonfire refers.

(4) Fire test reports WF409802, WF409804 and WF330706 from Warringtonfire refers.

(5) Fire test reports WF409803 and WF409805 from Warringtonfire refers.



7.2 In England and Wales and Northern Ireland, the system is not classified as 'non-combustible' or of limited combustibility and may be used on buildings with no storey at least 18 m above the ground, and 1 m or more from a boundary. With minor exceptions, the system should be included in calculations of unprotected areas.



7.3 In Scotland, the system is not classified as 'non-combustible' and may be used on buildings more than 1 m from the boundary. With minor exceptions, the system should be included in calculations of unprotected area.

7.4 The system should not be used on any building with a storey more than 11 m above the ground, or on any entertainment or assembly building with a total storey area more than 500 m², or on any hospital or residential care building with a total storey area of more than 200 m².



7.5 Although the spread of flame across the surface of PVC is limited, the material does tend to char and may fall away when exposed to fire. Due consideration should always be given to any combustible materials behind the cladding, which may become exposed in the event of fire. Where necessary, cavity barriers should be incorporated behind the cladding, as required under the relevant national Building Regulations.

8 Air and water penetration



8.1 The cladding is not airtight, watertight or water-vapour-tight. When used on exposed substrates (such as timber stud walls), the system must be backed and incorporated behind a breather membrane which acts as a vapour-permeable water barrier, incorporated behind the cladding under the supporting battens. This barrier must satisfy the requirements of BS 5250 : 2011 and have a vapour resistance of less than 0.6 MN·s·g⁻¹.

8.2 Where cladding is used as a decorative facing attached to weathertight masonry walls, a vapour-permeable water barrier is not necessary as the amount of water that will penetrate the cladding will be small and will not have an adverse effect on the wall.

8.3 If the cladding is used in the renovation of a masonry or timber framed wall which is structurally sound but not fully weathertight, a vapour-permeable water barrier must be used.

8.4 Provision must always be made to allow water that has penetrated behind the cladding to drain away. Ventilation and drainage is achieved by drilling through the starter bar and head trim in accordance with the Certificate holder's guidelines.

9 Thermal performance

For the purpose of U value calculations, in accordance with BS EN ISO 6946 : 2017 and BRE Report BR 443 : 2006, the cavity between the system and the wall should be treated as a 'well ventilated' air layer cavity. The thermal resistance value of the cavity, and everything between it and the external environment, should be taken as equivalent to an internal boundary layer (ie a thermal resistance value of $0.13 \text{ m}^2 \cdot \text{K} \cdot \text{W}^{-1}$).

10 Maintenance



10.1 The cladding can be washed with water and detergent. Abrasive or solvent-based cleaners must not be used. For the removal of more resistant stains, the Certificate holder's advice must be sought. The material can be cut and drilled, using normal woodworking tools, if repairs are required.

10.2 Replacement of a damaged section can be carried out but may require the temporary removal of undamaged boards above the damaged area.

10.3 Paint must not be applied as it can cause premature embrittlement of PVC-U products and the application of dark colours to PVC-U cladding could lead to a risk of thermal distortion.

11 Durability



11.1 The system will remain effective as a cladding system for a period in excess of 35 years.

11.2 The cladding will retain its decorative function with only minor changes in surface appearance. However, staining will result from contact with certain materials or substances (eg creosote or bitumen).

12 Reuse and recyclability

Recycled content

12.1 The recycled content of the cellular board profiles with an 'E' suffix in their product code has been defined and calculated using the *Waste & Resources Action Programme (WRAP), Calculating and declaring recycled content in construction products 'Rules of Thumb'* guide.

12.2 The recycled input material is described as recycled pulper from offcuts or scrap and satisfies criteria C as defined in the WRAP guide (see 12.1).

12.3 Recycled pulper (brown skin/white core or black skin/white core) has a total recycled content of 80% in the final core material⁽¹⁾.

(1) Input mass per tonne of recycled material is verified by the BBA as part of post-certification auditing and calculated in accordance with BS EN ISO 14021 : 2016, Clause 7.8.4.

12.4 Only the core of profiles with an 'E' suffix is manufactured using recycled material, with profile skins being manufactured from virgin material. All other items covered by this Certificate are manufactured using solely virgin material.

13 General

13.1 Flat-headed, stainless steel (14 gauge) cladding pins (25 mm long with a 5 mm diameter nail head) are used to fix cladding boards to timber battens using 'secret fixing', in a shiplap design where the fixing is hidden by the overlap of the next board.

13.2 The substrate should be checked to ensure that it is as prescribed in section 4.3 of this Certificate. Installation must be carried out in accordance with the Certificate holder's instructions and the requirements of this Certificate.

13.3 Installation should not be carried out at temperatures below 5°C or above 25°C.

13.4 The components are easy to work using normal woodworking tools for cutting, drilling and shaping. Handsaws should have a fine-toothed blade. Hand-held and bench-mounted power tools with a carbide-tipped blade should be run at speeds similar to, or higher than, those normally used for timber.

13.5 When using power tools to cut or shape the product, it is recommended that eye protection and a coarse-particle dust mask is used.

13.6 Expansion gaps of 5 mm for white boards and 8 mm for coloured boards should be provided at the ends of each five-metre board.

13.7 Adequate provision should be made for drainage and ventilation behind the cladding (see sections 4.8 and 8.4 of this Certificate).

13.8 Where butt joints are made between boards, the ends of both boards should be fixed to battens.

13.9 Window head and other protrusions should be protected by a suitable weatherproof membrane or flashing.

14 Procedure

Preparation

14.1 Before installation commences, the cladding operation should be thoroughly planned and prepared.

14.2 A final inspection of the substrate should be made to confirm that it is as given in section 4.3 of this Certificate.

14.3 Appropriate cladding boards and trims should be selected and assembled (see Figure 2).

14.4 The cladding system should be installed over a timber stud frame or over a masonry or block substrate and should be fixed to preservative-treated timber battens minimum size 38 x 25 mm.

14.5 Vertical battens are required at the ends of each section, at the sides of windows and at joints between boards. Horizontal battens should not be used at the top/bottom of either the installation or window/door openings, as they may restrict ventilation and drainage. Similarly, the use of horizontal trims at the base of the cladding must not reduce the ventilation opening below 5000 mm² (see section 4.8 of this Certificate).

14.6 Window heads and other protrusions should be protected by a suitable weatherproof membrane or flashing.

Installation

14.7 Installation begins by fixing trims (2-part U-channel cladding trim G2UCW or cladding U-trim GUC) around the area to be clad. For 90 degree corners, the 2-part external corner trim G2ECW is used.

14.8 The bottom cladding board is located firmly in the starter trim and end closer trims, and fixed into place using the specified stainless steel cladding pins, nailing into each batten in turn.

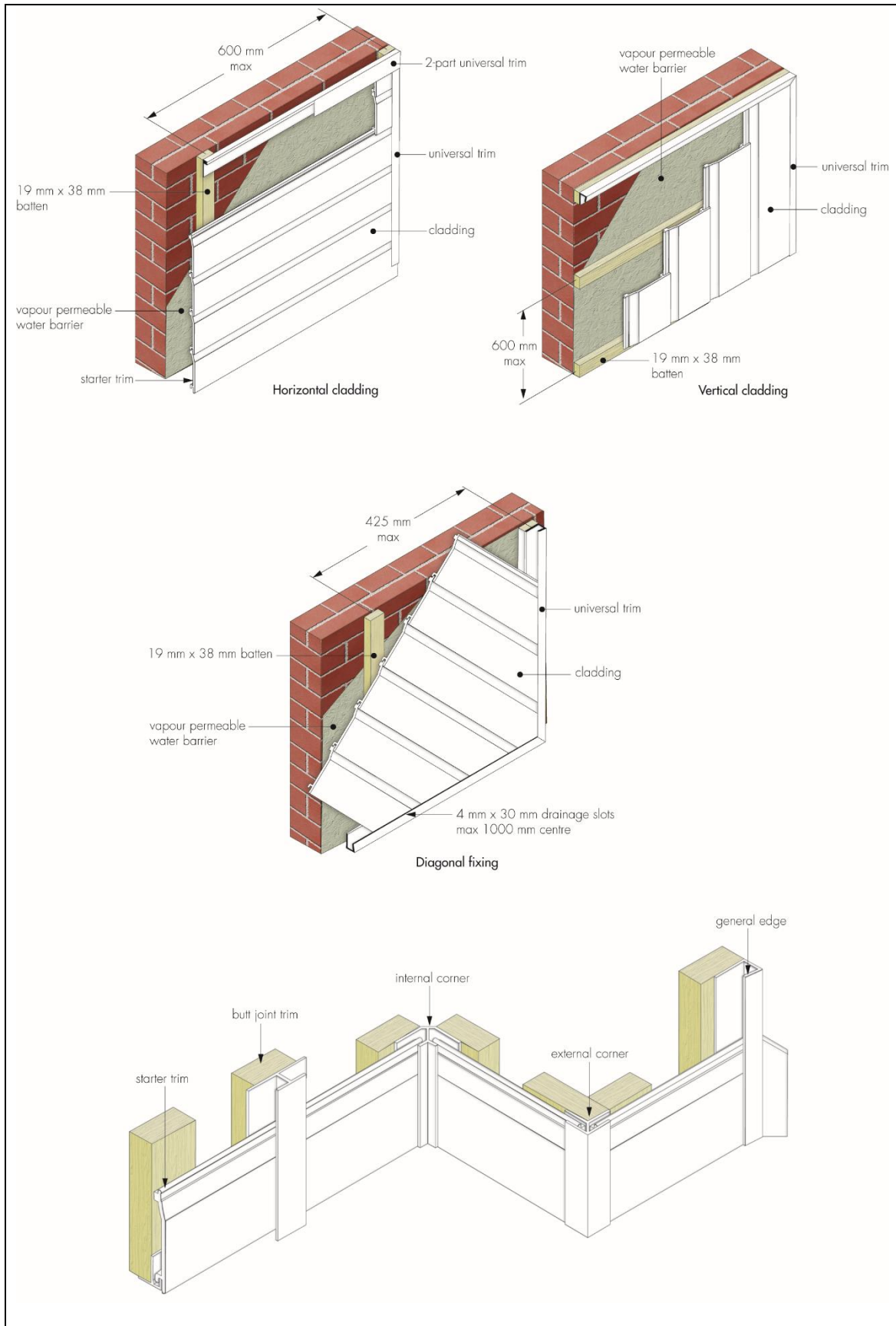
14.9 Pinning of the cladding should take place from the centre of the boards working outwards. Subsequent lengths are fitted over the preceding length, ensuring the tongue and groove joint is engaged and the cladding pin heads are concealed by the overlap.

14.10 The cladding should be fixed at 600 mm centres between fixings for light coloured boards and 400 mm centres between fixings for the dark coloured boards.

14.11 Butt joint trims GCJ are used to join lengths of cladding together (see Figures 1 and 2). Where the installation is south facing, it is recommended that the length of cladding is reduced to 2.5 metres. The appropriate expansion gap must be provided as detailed in section 13.6 of this Certificate.

14.12 When joints are used, the joints should be staggered, with a continuous board above and below the joint. The positioning of these joints and trims should be taken into account during the planning stage.

Figure 2 Typical installation details



15 Tests

Results of tests were assessed to determine:

- weight per linear metre
- ash content
- nail pull-through
- accelerated weathering (UV)
- density
- voidage
- flexural strength
- dimensional stability
- impact resistance
- stress relief
- hard body impact
- heat reversion
- adhesive bond strength of laminated foil coating.

16 Investigations

16.1 Permissible dynamic wind pressures were calculated from the simulated wind load-bending test and nail withdrawal data.

16.2 An examination was made of data relating to:

- reaction to fire
- impact resistance
- colour stability
- dimensional tolerance.

16.3 The manufacturing process was examined, including the methods adopted for quality control, and details were obtained of the quality and composition of materials used.

16.4 The practicability of installation was assessed.

Bibliography

BS 5250 : 2011 + A1 : 2016 *Code of practice for control of condensation in buildings*

BS EN 1991-1-4 : 2005 + A1 : 2010 *Eurocode 1 : Actions on structures — General actions — Wind actions*
NA to BS EN 1991-1-4 : 2005 + A1 : 2010 UK National Annex to *Eurocode 1 : Actions on structures — General actions — Wind actions*

BS EN 1995-1-1 : 2004 + A2 : 2014 *Eurocode 5 : Design of timber structures — General — Common rules and rules for buildings*
NA to BS EN 1995-1-1 : 2004 + A1 : 2008 UK National Annex to *Eurocode 5 : Design of timber structures — General — Common rules and rules for buildings*

BS EN 1996-1-1 : 2005 + A1 : 2012 *Eurocode 6 : Design of masonry structures — General rules for reinforced and unreinforced masonry structures*
NA to BS EN 1996-1-1 : 2005 + A1 : 2012 UK National Annex to *Eurocode 6 : Design of masonry structures — General rules for reinforced and unreinforced masonry structures*

BS EN 1996-3 : 2006 *Eurocode 6 : Design of masonry structures — Simplified calculation methods for unreinforced masonry structures*
NA + A1 : 2014 to BS EN 1996-3 : 2006 UK National Annex to *Eurocode 6 : Design of masonry structures — Simplified calculation methods for unreinforced masonry structures*

BS EN 13245-2 : 2008 *Plastics — Unplasticised poly (vinyl chloride) (PVC-U) profiles for building applications — PVC-U profiles and PVC-UE profiles for internal and external wall and ceiling finishes*

BS EN 13501-1 : 2007 + A1 : 2009 *Fire classification of construction products and building elements — Classification using test data from reaction to fire tests*

BS EN ISO 6946 : 2017 *Building components and building elements — Thermal resistance and thermal transmittance — Calculation methods*

BS EN ISO 9001 : 2015 *Quality management systems — Requirements*

BS EN ISO 14021 : 2016 *Environmental labels and declarations — Self-declared environmental claims (Type II environmental labelling)*

BRE Report (BR 443 : 2006) *Conventions for U-value calculations*

17 Conditions

17.1 This Certificate:

- relates only to the product/system that is named and described on the front page
- is issued only to the company, firm, organisation or person named on the front page – no other company, firm, organisation or person may hold or claim that this Certificate has been issued to them
- is valid only within the UK
- has to be read, considered and used as a whole document – it may be misleading and will be incomplete to be selective
- is copyright of the BBA
- is subject to English Law.

17.2 Publications, documents, specifications, legislation, regulations, standards and the like referenced in this Certificate are those that were current and/or deemed relevant by the BBA at the date of issue or reissue of this Certificate.

17.3 This Certificate will remain valid for an unlimited period provided that the product/system and its manufacture and/or fabrication, including all related and relevant parts and processes thereof:

- are maintained at or above the levels which have been assessed and found to be satisfactory by the BBA
- continue to be checked as and when deemed appropriate by the BBA under arrangements that it will determine
- are reviewed by the BBA as and when it considers appropriate.

17.4 The BBA has used due skill, care and diligence in preparing this Certificate, but no warranty is provided.

17.5 In issuing this Certificate the BBA is not responsible and is excluded from any liability to any company, firm, organisation or person, for any matters arising directly or indirectly from:

- the presence or absence of any patent, intellectual property or similar rights subsisting in the product/system or any other product/system
- the right of the Certificate holder to manufacture, supply, install, maintain or market the product/system
- actual installations of the product/system, including their nature, design, methods, performance, workmanship and maintenance
- any works and constructions in which the product/system is installed, including their nature, design, methods, performance, workmanship and maintenance
- any loss or damage, including personal injury, howsoever caused by the product/system, including its manufacture, supply, installation, use, maintenance and removal
- any claims by the manufacturer relating to CE marking.

17.6 Any information relating to the manufacture, supply, installation, use, maintenance and removal of this product/system which is contained or referred to in this Certificate is the minimum required to be met when the product/system is manufactured, supplied, installed, used, maintained and removed. It does not purport in any way to restate the requirements of the Health and Safety at Work etc. Act 1974, or of any other statutory, common law or other duty which may exist at the date of issue or reissue of this Certificate; nor is conformity with such information to be taken as satisfying the requirements of the 1974 Act or of any statutory, common law or other duty of care.